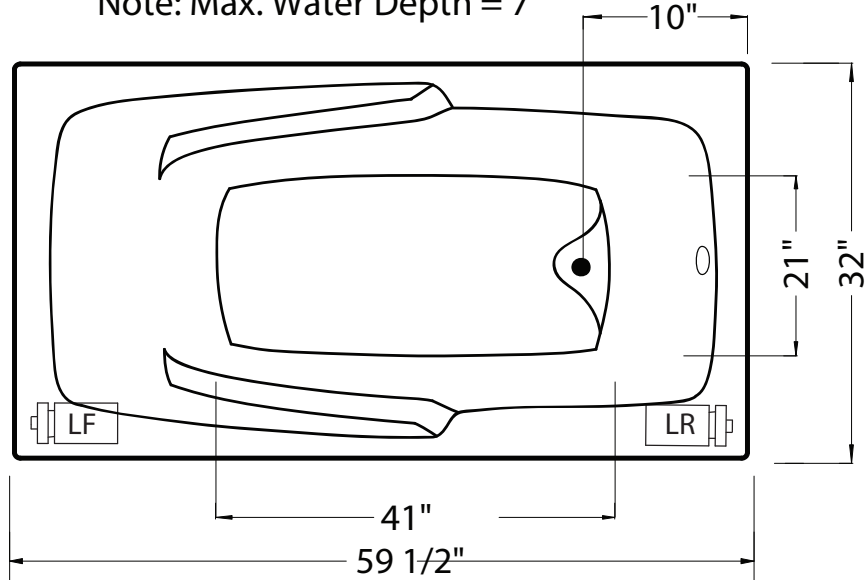


Note: Max. Water Depth = 7"



LF = Left Front Pump Location RF = Right Front Pump Location

MODEL: SK14 MINI W/SKIRT

SIZE: 32" x 59.5"

AVERAGE FILL (GAL): 30 GALLONS

ELECTRICAL REQUIREMENT: 110V 20 AMP CIRCUIT

WATER JETS (WHIRLPOOL): 4 ADJUSTABLE, 1 PULSATING

WATER JETS (THERAPY WP): 4 ADJUSTABLE, 6 SPINNING MICROJET

INSULATION: R-15 SPRAY FOAM (OPTIONAL ON SOAKER)

INLINE HEATER: OPTIONAL 110V (N/A ON AIR BATH)

LIGHTING SYSTEM: OPTIONAL LED SPA LIGHT

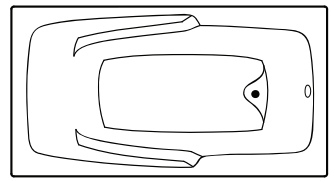
NOTES:

- Integrated skirt/tile flange with removable access panel
- Whirlpool and adds 1.5" to overall height
- Inline heater requires additional 20 Amp 110v GFCI circuit
- Deck cutout dimensions should be 2" smaller than tub dimensions
- Controls will be surface mounted near the desired pump location

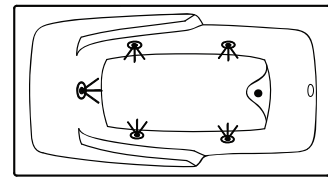
LEGEND:



Soaker



Whirlpool



IZZI BATH
 19250 N Hwy 27
 Clermont, FL 34715
 (800) 214-7440
 www.izzibath.com